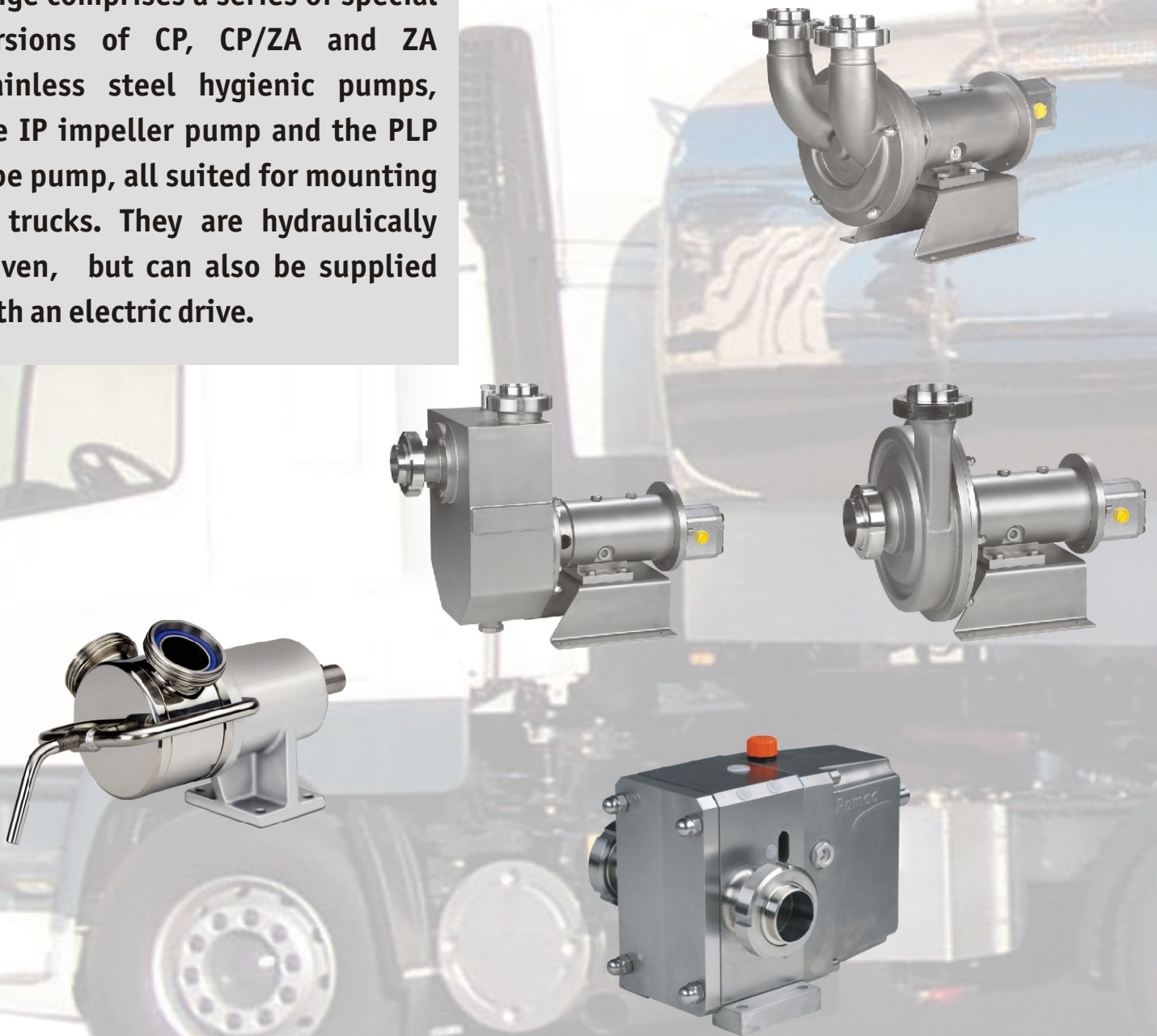
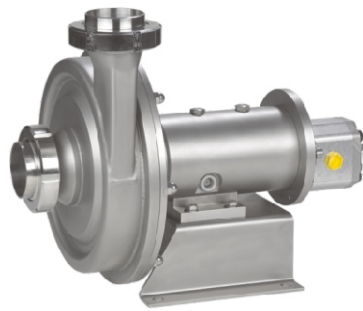


Hygienic truck pumps

The Pomac Hygienic truck pumps range comprises a series of special versions of CP, CP/ZA and ZA stainless steel hygienic pumps, the IP impeller pump and the PLP lobe pump, all suited for mounting in trucks. They are hydraulically driven, but can also be supplied with an electric drive.



CP-IGH



Centrifugal pump

Stainless steel hygienic centrifugal pumps, which are used for pumping liquids up to 300 cP. Depending on the product to be pumped, the pumps can be supplied with a closed impeller, a half open impeller or an open impeller (suitable for pumping liquids with solids).

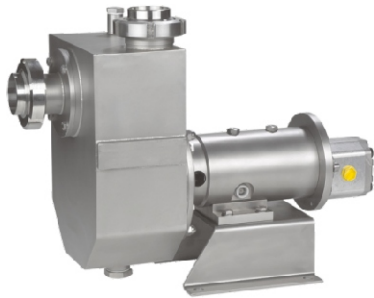
$$Q_{\max} = 120 \text{ m}^3/\text{h}$$

More detailed information on each of the pump types mentioned in this leaflet is available on request.

The Pomac supply programme - besides the pump assortment in this brochure - comprises an extensive choice of:

- stainless steel hygienic pumps
- lobe pumps
- impeller pumps
- screw pumps

CP/ZA-IGH



Self-priming centrifugal pump

This pump type is an extension of the pump type CP mentioned above. The CP/ZA hygienic pump distinguishes itself from the CP by its self-priming capacity. It is highly suitable for pumping liquid/air mixtures.

$$Q_{\max} = 120 \text{ m}^3/\text{h}$$

$$H_{\max} = 9 \text{ bar}$$

More detailed information on these pump types is available and will be sent to you on request.

Pomac Pumps produces and supplies a complete range of stainless steel centrifugal and positive displacement pumps for the international market. These pumps are used in food and beverage industries as well as in pharmaceutical and chemical industries.

The Pomac organisation is characterized by a high degree of customer focus, flexibility, excellent service and fast deliveries. Pomac guarantees high quality and reliability in every detail!

ZA-IGH



Self-priming liquid ring pump

The ZA is a self-priming hygienic pump, which operates according to the liquid ring principle. It is suited for pumping air/liquid mixtures.

$$Q_{\max} = 60 \text{ m}^3/\text{h}$$

$$H_{\max} = 6 \text{ bar}$$

PLP-IG



Lobe pump

Pomac PLP Lobe pumps are designed to pump high-viscosity liquids (up to 100.000 cP). The pump section and gearbox are made of stainless steel. The pump can easily be cleaned, which reduces its maintenance time. The pump can be mounted with the connections placed vertically (in "self-draining position").

$$Q_{\max} = 75 \text{ m}^3/\text{h}$$

$$H_{\max} = 15 \text{ bar}$$

Pomac Pumps

IP-IG



Impeller pump

Stainless steel hygienic self-priming pump with a flexible impeller. The pump can be opened without tools, making it very easy to clean and to maintain.

$$Q_{\max} = 25 \text{ m}^3/\text{h}$$

$$H_{\max} = 3 \text{ bar}$$

Pomac b.v.
Feithspark 13 - 9356 BX Tolbert
P.O. Box 32 - 9356 ZG Tolbert
Holland
tel +31 (0)594 512877
fax +31 (0)594 517002
E-mail: info@pomacpumps.com
www.pomacpumps.com

Member of the Pomac Industries Group