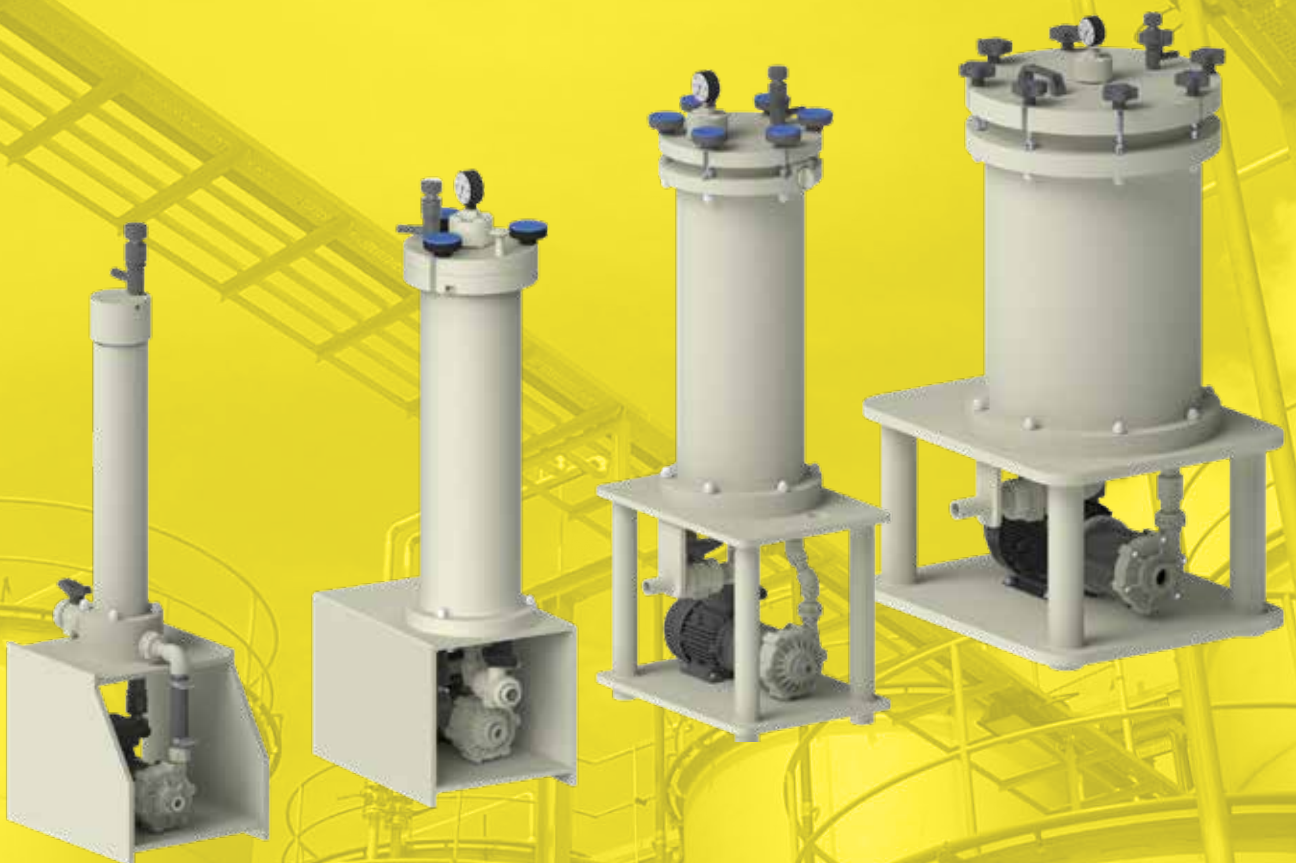


tapflo®

# FT FILTERS

2018 | 1



» All about your flow

[www.tapflo.com](http://www.tapflo.com)

## All about your flow

Tapflo is a leading pump manufacturer providing a wide range of premium products for various industrial applications. We focus on delivering the best solutions and support for our customers on all stages of the process – worldwide.



## About Tapflo

Tapflo is a Swedish, family-owned manufacturer and global supplier of pumps and other industrial process equipment. Our products are designed and manufactured to meet our customers' needs and the demands from our industry. The company was founded in Kungälv, Sweden in 1980 and has since then developed dynamically over the years. Today we are represented by our own companies and independent distributors all over the world, on 6 continents.

## Quality certified

At Tapflo we value quality as our top priority. As a result, we comply with various globally recognised certification and quality control institutions. Many of our products comply with EC ATEX directives for equipment intended for use in explosive and hazardous environments.

The aseptic series is EHEDG certified (European Hygienic Engineering & Design Group) and the pharmaceutical series has EC 1935/2004 approval.

All of our products are clearly CE marked and followed by our comprehensive instruction manuals. Tapflo manufacturing process is certified according to ISO 9001:2015.



## Tapflo values

Our culture is concluded in Our values

### Commitment

We are different from our competitors because of our willingness to exceed the customers' expectations, move fast and be flexible. Our culture is based on the spirit of togetherness, enthusiasm and integrity. We come from all over the world but we share the same values and we respect each other. We are committed.

### Quality

We understand that the quality in our work is never better than the weakest link, that's why we focus on every small detail. We share a common passion for continuously finding more efficient and effective ways to provide value to our customers. As a manufacturer we have control of the complete process both in terms of our products and the way we operate internally. That is why we manufacture the highest quality pumps in our segment.

### Simplicity

We have a saying, "Simple is art" which means we try to find smooth and uncomplicated solutions in everything. By keeping it simple we can focus on the essential, like designing uncomplicated pumps with few components. For us it is a key to success; strive to simplify what is complex.

# Filters

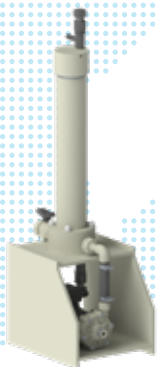
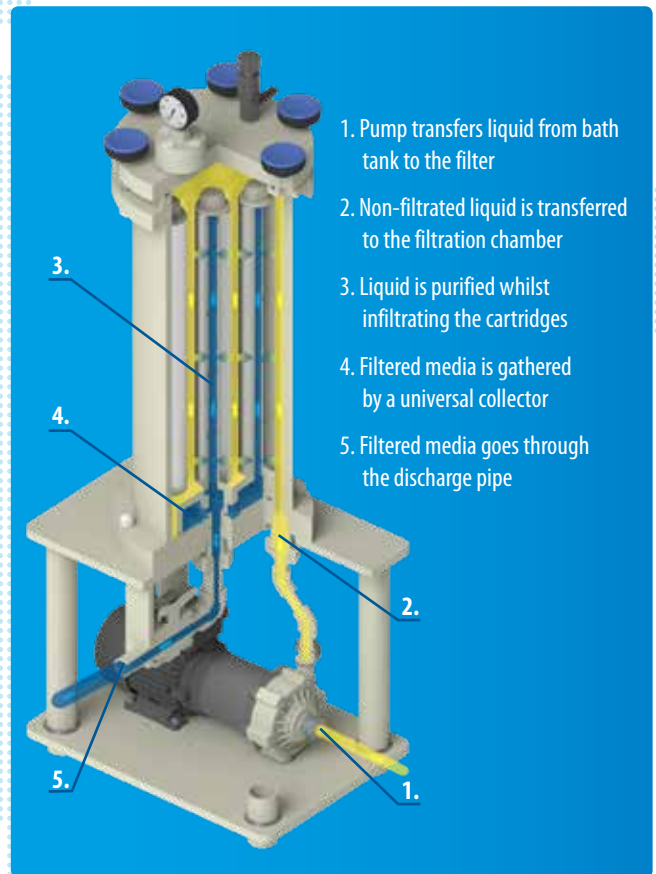
## creating a safe process

FT Filters are developed to work in various applications, where process quality often relies on the bath filtration. As there are many hazardous substances used, it is of paramount importance to ensure these chemicals are handled in a safe way.

Tapflo is here to provide you reliable solutions that increase both quality and safety of your filtration processes.

### Example of applications

- » Surface treatment
- » Precious metal plating
- » Chemical industry
- » Paints and varnishes
- » Water treatment



FT80



FT160



FT210



FTB210



FT355

### Features & Benefits

- ✓ **Simple and smart design**  
New FT Filters were designed to reduce the number of parts to minimum. Filters are easy to maintain and service and the inserts are easy to replace.
- ✓ **Changeable inserts**  
Thanks to the universal body design, the FT Filter units can be equipped with various filtering inserts. It allows the filters to work with surface treatment baths, oil absorbing systems and precious metals treatment systems.
- ✓ **Wide range of filtering volume**  
Filtering volumes which exact the needs of various applications. Suitable for tanks capacity form 200 l (for FT80) to 6000 l (for FT355).
- ✓ **Solid construction**  
FT Filters are made to work in a tough industrial environment; its robust design provides a safe and reliable daily work environment, both with acids and alkali. Our FT Filters are ready to resist hard conditions all over the world.



# Filter components

Standard FT Filters are delivered with Tapflo Magdrive CTM series pumps, that provide a safe and leakage free operation. Our FT Filters are used widely in the surface treatment industry, where there is a need for liquid purification.

Made in PP, they provide a high resistance for acids and alkalis. They are developed to work with polypropylene filtering cartridges, active carbon filtering inserts, filtering resins combined with bags and FTL Cartridges. FT Filters are also used as an oil absorbing units.

## Inserts

### Insert types



#### Wound Cartridge (standard)

The most popular filtering insert. Recommended for concentrated acids and alkalis, strong oxidizing agents, corrosive fluids and gases.

FDA and Non-FDA available - Consult Tapflo. Easily incinerated to traces of ash. Excellent microorganism resistance. High dry or wet strength.

Equipped with 1, 3, 7 or 15 cartridges.

**Available removal rating:** 1-50 µm



#### Bag (for FTB210)

Bag filtration is an economic method of pollution separation, widely used in branches of industries such as automotive, paint and varnish, food, chemical.

The filter bags offered by us are characterised by high chemical compatibility to the filtered medium and thermal resistance.

We are also providing an option with **activated carbon** insert and ion exchange resin insert. For additional information, please contact Tapflo directly.

**Available removal rating:** 0,5 µm-1200 µm



#### FTL Cartridge (for FT210)

This is made of polypropylene fabric and grill – its filtration surface is 5m<sup>2</sup> for 20 inch cartridge. It gives the advantage of high efficiency and high retention capacity up to 5 kg of sediment. These filter inserts significantly reduces operating costs.

**Available removal rating:** 10, 50, 100µm



#### Filter Basket

This option allows the use of oil absorbing polyethylene tape, active carbon and ion exchange resin inserts filled.

Filter size	FT80	FT160	FT210	FT355	FT210
Insert type	STANDARD				BAG
Wound Cartridge (standard)	✓	✓	✓	✓	
Bag					✓
FTL Cartridge			✓		
Filter Basket			✓	✓	

### Filtering media



#### Activated Carbon

- » Used in galvanic bath organic purification
- » Removing of organics such as oils or lubricants - reduction of COD (Chemical Oxygen Demand)
- » Typical applications:
  - Galvanic bath purification



#### Oil Absorbing Polyethylene Tape

- » Used in galvanic process
- » Removing of oil residues
- » Typical applications:
  - Cleaning the rinsing water/bath



#### Ion Exchange Resin

- » Used in industrial plants, where heavy metal concentration exceeds acceptable level.
- » Removing of heavy metals used for sewage treatment, e.g. in electroplating processes.
- » Typical applications:
  - Purification of Cr3+ passivation after galvanizing
  - Purification of chromium bath Cr3+
  - Demi water production



## Pressure control options

An optional pressure switch selected instead of a manometer offers higher accuracy, long-term stability and a higher number of measure cycles.



Manometer



Pressure switch

## Pumps

### ■ Standard

**CTM** - magdrive centrifugal pumps

The Magdrive Centrifugals are designed and manufactured for chemicals transfer and circulation in surface treatment industries.

Tapflo CTM magnetic drive pumps are pumps of the centrifugal type, where the power from the motor is transmitted to the impeller by means of a magnetic coupling.



## Features & Benefits

- ✓ **No leakage**  
safe working environment and environmentally friendly
- ✓ **Economical operation**  
high degree of efficiency and no waste of product
- ✓ **Magnetic power transmission**  
no mechanical seal problems
- ✓ **Safe handling of hazardous fluids**  
seal-less pump
- ✓ **Hermetic system**  
no poisonous or dangerous vapours

### ■ Other pump options

Tapflo offers other pumps designed for a harsh chemical environment:

**CTP** – plastic centrifugal pump

A CTP can be offered installed in the filter housing instead of a standard CTM pump. The CTP pumps are single stage centrifugal pumps with semi-opened impeller. The pumps are ideal for chemical transfer and circulation in surface treatment industries.

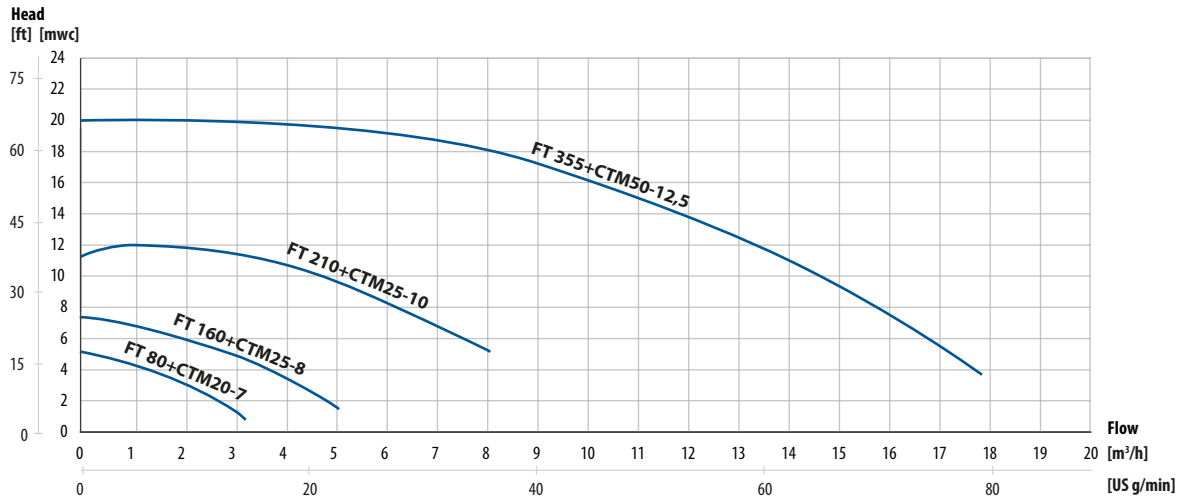
**CTV** – plastic centrifugal vertical pump

A CTV can be installed outside the filter housing with a hose connection for the transfer and circulation of various liquids from containers, sumps and tanks.



# Performance curves

The performance curves are based on water at 20°C with standard FTA cartridges and standard CTM pumps. Other circumstances will affect the performance. These curves are only for first selection; please contact us for detailed curves with required power etc. ( $\rho=1000 \text{ kg/m}^3$ ,  $T=20^\circ\text{C}$ ,  $n=2900 \text{ rpm}$ )



## Technical data

Specification	FT80	FT160	FT210 / FTB210	FT355
Applicable tank size [L]	400	1200	2800	6000
Filter capacity [m³/h]	3,5	5,2	14	18,1
Max head [m]	5,0	7,2	11,2	20,1
Motor power [kW]	0,12	0,25	0,55	3,00
Pump	CTM 20-7P-02	CTM25-8P-03	CTM25-10P-05	CTM50-12,5P-30
Filter housing	PP			
O-rings	EPDM, NBR, FKM			
Temperature range	0°C - 70°C			
Pressure rating	PN4 at 20°C, PN2 at 70°C			

## Filter code

I.	II.	III.	IV.	V.	VI.	VII.	VIII.	IX.	X.
FT	A	210	/20	M	P	05	I100	E	PS

### I. FT - Tapflo filter

### II. Filter type:

- A - standard cartridge
- B - bag
- C - activated carbon in bag
- L - big cartridge (FTL)
- M - activated carbon in mesh nylon bag
- N - oil absorbing fill in nylon bag
- O - oil absorbing fill in bag
- R - ion exchange resin in bag
- S - ion exchange resin in mesh nylon bag

### III. Filter internal diameter [mm] (filter inserts dimension):

- 80 (1x20")
- 160 (3x20")
- 210 (7x20")
- 355 (15x20")

### IV. Filtration grade:

- 01 = 1 micron
- 10 = 10 microns
- 20 = 20 microns
- 50 = 50 microns
- 100 = 100 microns

### V. Pump type:

- M = CTM pump
- P = CTP pump
- V = CTV pump

### VI. Pump body material:

- P = Polypropylene
- K = PVDF

### VII. Motor power [kW] and CTM pump type:

- 01 = 0,12 [kW] (mechanical size 56) + CTM20-7 pump
- 02 = 0,25 [kW] (mechanical size 63) + CTM25-8 pump

- 05 = 0,55 [kW] (mechanical size 71) + CTM25-10 pump
- 11 = 1,10 [kW] (mechanical size 80) + CTM32-12,5 pump
- 15 = 1,50 [kW] (mechanical size 90) + CTM40-12,5 pump
- 22 = 2,20 [kW] (mechanical size 90) + CTM40-12,5 pump
- 30 = 3,00 [kW] (mechanical size 90) + CTM50-12,5 pump

### VIII. Pump options:

- no signal = standard motor
- I = trimmed impeller
- P = single phase motor

### IX. Sealing material:

- E = EPDM
- F = FKM
- N = NBR

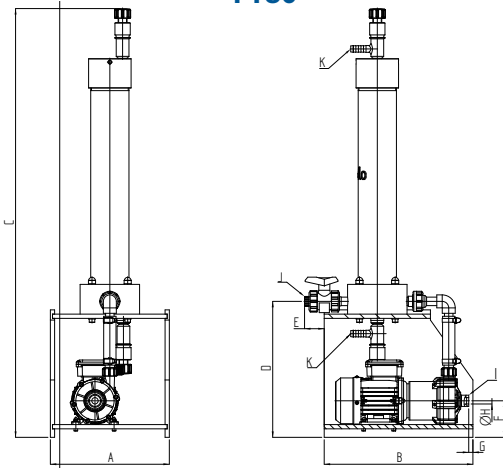
### X. Optional accessories:

- PS = pressure switch

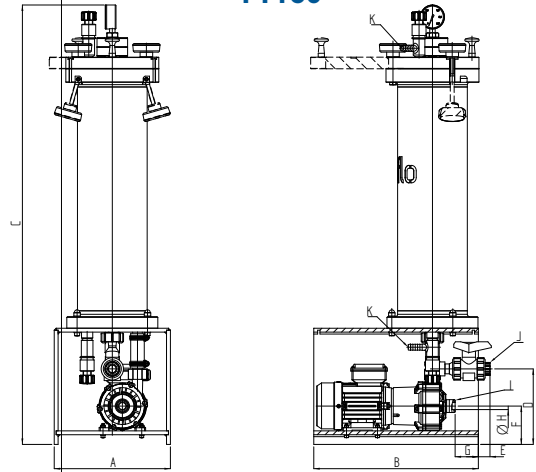
Ask us for complete pump code with all available options and executions. Changes reserved without notice.

# Dimensions

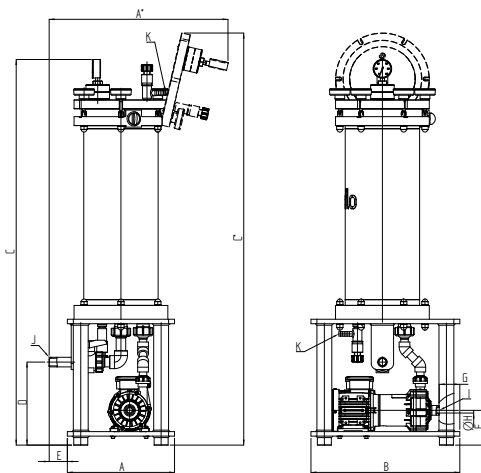
**FT80**



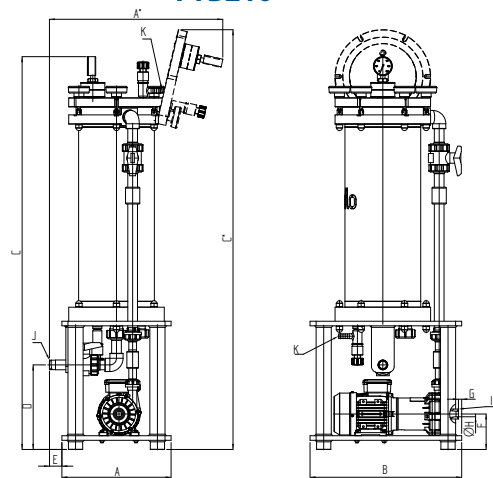
**FT160**



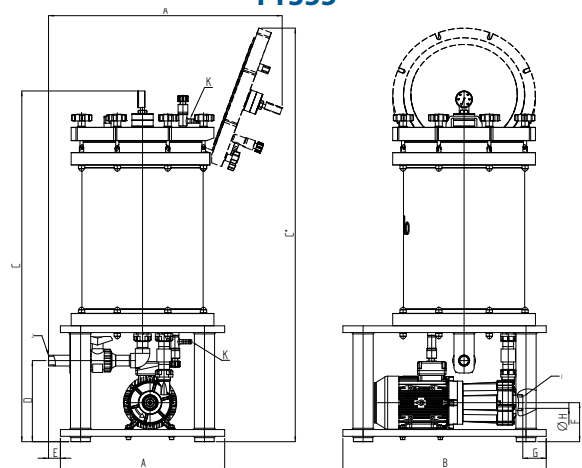
**FT210**



**FTB210**



**FT355**



Dim	Filter model				
	FT80	FT160	FT210	FTB210	FT355
<b>A</b>	280	300	360	360	610
<b>A*</b>	-	-	572	572	868
<b>B</b>	350	425	500	500	755
<b>C</b>	1010	1145	1287	1287	1302
<b>C*</b>	-	-	1375	1375	1535
<b>D</b>	320	195	277	277	301
<b>E</b>	46	30	61	61	44
<b>F</b>	86	99	116	116	145
<b>G</b>	10	60	69	11	87
<b>Ø H</b>	15	18	18	18	42
<b>I - Inlet</b>	male thread G ¾"	male thread G 1"	male thread G 1"	male thread G 1"	male thread G 2"
<b>J - Outlet</b>	female thread G ½"	female thread G ¾"	hose Ø 32	hose Ø 32	hose Ø 40
<b>K - Air vent</b>	hose Ø 16	hose Ø 16	hose Ø 16	hose Ø 16	hose Ø 16

Dimensions in mm (where other is not indicated)

\* with open cover

Changes reserved without notice

## Sweden

Filaregatan 4 | S-442 34 Kungälv

Tel: +46 303 63390

Fax: +46 303 19916

E-mail addresses:

Commercial questions: [sales@tapflo.com](mailto:sales@tapflo.com)

Orders: [order@tapflo.com](mailto:order@tapflo.com)

Tech support: [support@tapflo.com](mailto:support@tapflo.com)

## Tapflo products and services are available in 75 countries on 6 continents.

Tapflo is represented worldwide by own Tapflo Group Companies and carefully selected distributors assuring highest Tapflo service quality for our customers' convenience.

AUSTRALIA | AUSTRIA | AZERBAIJAN | BAHRAIN | BELARUS | BELGIUM | BOSNIA | BRAZIL | BULGARIA | CANADA | CHILE | CHINA | COLOMBIA | CROATIA | CZECH REPUBLIC | DENMARK | ECUADOR | EGYPT | ESTONIA | FINLAND | FRANCE | GREECE | GEORGIA | GERMANY | HONG-KONG | HUNGARY | ICELAND | INDIA | INDONESIA | IRAN | IRELAND | ISRAEL | ITALY | JAPAN | JORDAN | KAZAKHSTAN | KUWAIT | LATVIA | LIBYA | LITHUANIA | MACEDONIA | MALAYSIA | MEXICO | MONTENEGRO | MOROCCO | NETHERLANDS | NEW ZEALAND | NORWAY | POLAND | PORTUGAL | PHILIPPINES | QATAR | ROMANIA | RUSSIA | SAUDI ARABIA | SERBIA | SINGAPORE | SLOVAKIA | SLOVENIA | SOUTH AFRICA | SOUTH KOREA | SPAIN | SUDAN | SWEDEN | SWITZERLAND | SYRIA | TAIWAN | THAILAND | TURKEY | UKRAINE | UNITED ARAB EMIRATES | UNITED KINGDOM | USA | UZBEKISTAN | VIETNAM

## Tapflo Group Companies

### Australia

Tapflo Oceania (Pty)  
Tel: +61 1800 303 633  
[sales@tapflo.com.au](mailto:sales@tapflo.com.au)

### Austria

Tapflo Austria  
Tel: +43 732 27292910  
[sales@tapflo.at](mailto:sales@tapflo.at)

### Baltic States

Tapflo Latvia  
Tel: +371 67472205  
[sales@tapflo.lv](mailto:sales@tapflo.lv)

### Belarus

Tapflo Belarus  
Tel: +375 17 3934609  
[sales@tapflo.by](mailto:sales@tapflo.by)

### Belgium

Tapflo Benelux B.V.  
Tel: +31 (0)85 00 743 00  
[info@tapflo.nl](mailto:info@tapflo.nl)

### Bulgaria

Tapflo EOOD  
Tel: +359 (0)2 974 18 54  
[office@tapflo.bg](mailto:office@tapflo.bg)

### Canada

Tapflo Canada  
Tel: +1 514 813 5754  
[canada@tapflo.com](mailto:canada@tapflo.com)

### Croatia

Tapflo GmbH  
Tel: +385 91 4884 666  
[sales@tapflo.hr](mailto:sales@tapflo.hr)

### Czech Republic

Tapflo s.r.o.  
Tel: +420 513 033 924  
[tapflo@tapflo.cz](mailto:tapflo@tapflo.cz)

### China

Tapflo (Wuxi)  
Tel: +86 510 8241 7072  
[sales@tapflo.cn](mailto:sales@tapflo.cn)

### Denmark

Tapflo Danmark  
Tel: +45 36 454600  
[info@tapflo.dk](mailto:info@tapflo.dk)

### France

Tapflo France  
Tel: +33 1 34 78 82 40  
[info@tapflo.fr](mailto:info@tapflo.fr)

### India

Tapflo Fluid Handling India Pvt Ltd  
Tel: +91 20 65000215  
[ac@tapflo.in](mailto:ac@tapflo.in)

### Ireland

Tapflo Ireland Ltd  
Tel: +353 1 2011911  
[info@tapflo.ie](mailto:info@tapflo.ie)

### Italy

Tapflo Italia  
Tel: +39 0362307698  
[info@tapfloitalia.com](mailto:info@tapfloitalia.com)

### Japan

Tapflo Japan K.K.  
Tel: +81-3-6240-3510  
[tapflojp@tapflo.co.jp](mailto:tapflojp@tapflo.co.jp)

### Kazakhstan

Tapflo Kazakhstan  
Tel: +7 727 3278347  
[sales@tapflo.kz](mailto:sales@tapflo.kz)

### Netherlands

Tapflo Benelux B.V.  
Tel: +31 (0)85 00 743 00  
[info@tapflo.nl](mailto:info@tapflo.nl)

### Poland

Tapflo Sp. z o.o.  
Tel: +48 58 530 42 12  
[info@tapflo.pl](mailto:info@tapflo.pl)

### Romania

S.C. Tapflo Rom. S.r.l.  
Tel: +40 21 3451255  
[sales@tapflo.ro](mailto:sales@tapflo.ro)

### Russia

Tapflo Company  
Tel: +7 495 232 18 28  
[sales@tapflo.com.ru](mailto:sales@tapflo.com.ru)

### Serbia

Tapflo d.o.o.  
Tel: +381 21 44 58 08  
[sales@tapflo.rs](mailto:sales@tapflo.rs)

### Slovakia

Tapflo s.r.o.  
Tel: +421 911 137 883  
[tapflo@tapflo.sk](mailto:tapflo@tapflo.sk)

### Slovenia

Tapflo GmbH  
Tel: +386 68 613 474  
[sales@tapflo.hr](mailto:sales@tapflo.hr)

### Spain

Tapflo Iberica  
Tel: +34 91 8093182  
[avives@tapfloiberica.es](mailto:avives@tapfloiberica.es)

### South Africa

Tapflo (Pty) Ltd  
Tel: +27 31 701 5255  
[sales@tapflo.co.za](mailto:sales@tapflo.co.za)

### Turkey

Tapflo Makina Ltd  
Tel: +90 216 467 33 11  
[sales@tapflo.com.tr](mailto:sales@tapflo.com.tr)

### Ukraine

TOB Tapflo  
Tel: +380 44 222 68 44  
[sales@tapflo.com.ua](mailto:sales@tapflo.com.ua)

### Uzbekistan

Tapflo Uzbekistan  
Tel: +998 712370940  
[sales@tapflo.uz](mailto:sales@tapflo.uz)

### United Kingdom

Tapflo (UK) Ltd  
Tel: +44 2380 252325  
[sales@tapflo pumps.co.uk](mailto:sales@tapflo pumps.co.uk)